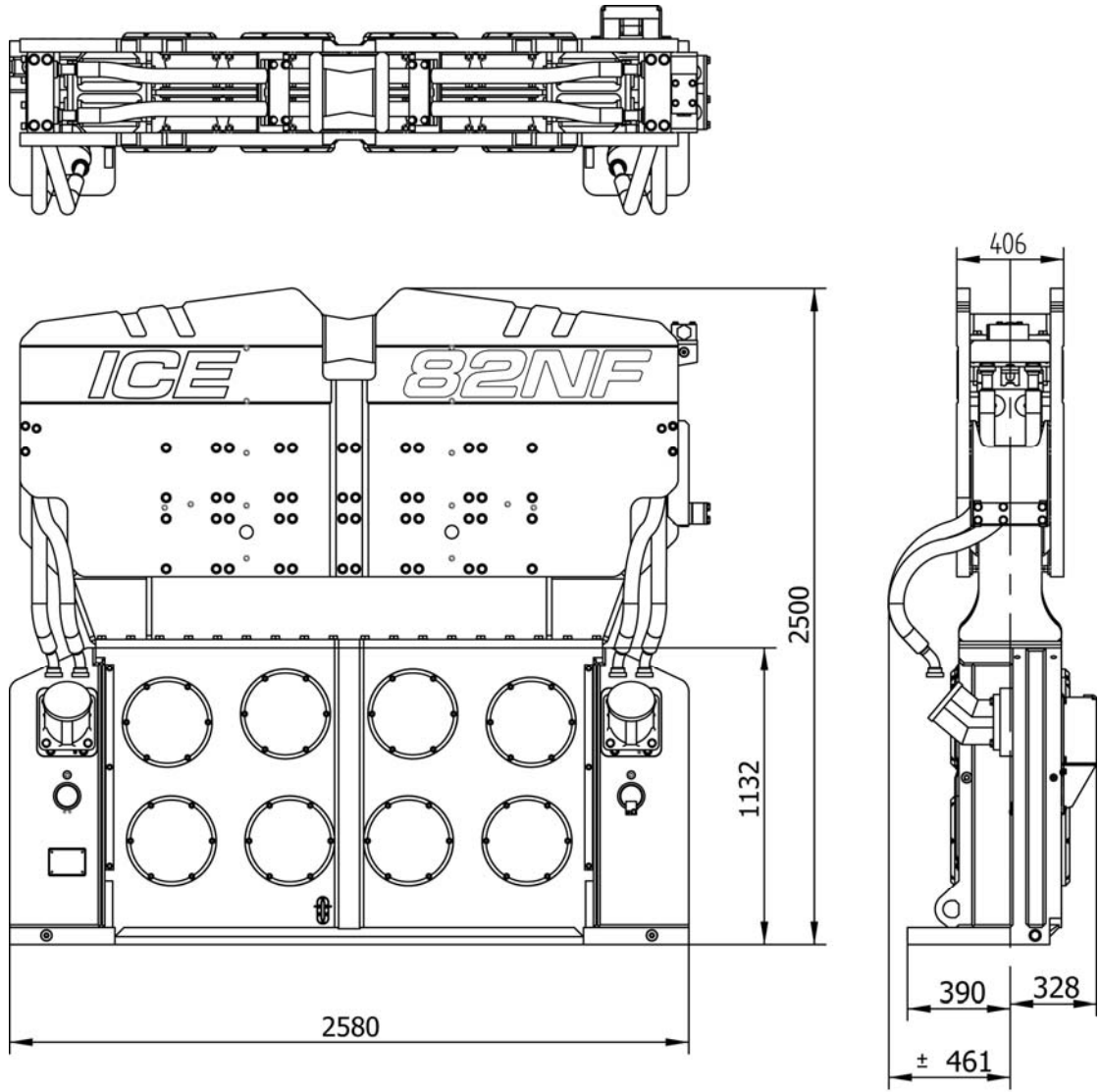




SPEC SHEET ICE 82NF



M82NF0010 / 0211



SPECIFICATIONS:			
Eccentric moment	81	kgm	
Max. centrifugal force	2570	kN	
Max. frequency	1700	rpm	
Max. amplitude excl. 320TU	30	mm	
Max. amplitude incl. 320TU	20.5	mm	
Max. static line-pull	800	kN	
Max. hydraulic power	518/704	kW/HP	
Max. operating pressure	350	bar	
Max. oil flow	890	l/min	
Dyn. weight excl. 320TU	5400	kg	
Dyn. weight incl. 320TU	7900	kg	
Total weight incl. 320TU	10400	kg	
Throat width	360	mm	
CLAMPS:			
Universal			320TU
Weight			2500 kg
Caisson clamp			2 x 150TP
Weight			3250 kg
POWERPACK:			
Model			900RF



SPEC SHEET
ICE 82NF

