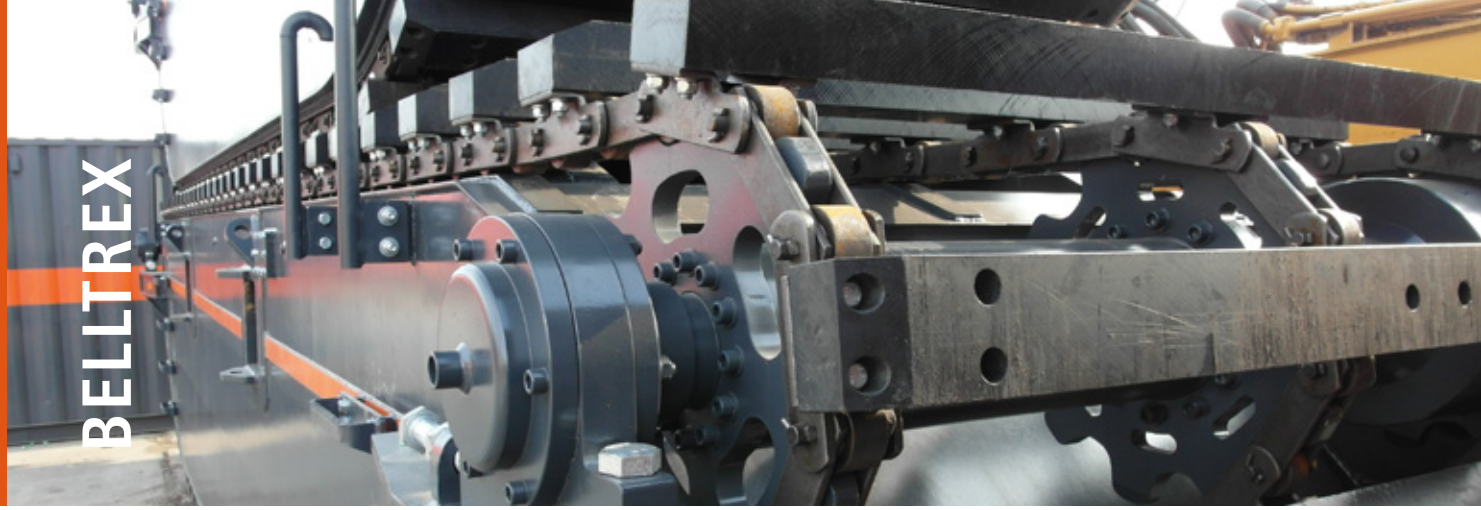


BELLTREX



A BELLTREX is an Amphibious Excavator that is designed for working in harsh environments like water bogged soft grounds, swampy lands and shallow waterways. The excavator is fitted with special pontoons. The BELLTREX can operate in shallow water as well as in fully floating condition. Several options can be added such as thrusters, side pontoons and spud legs.

BELLTREX is most effective when it works in areas where the water depth is less than 1.8 meter. For water depth more than 1.8 meter, additional side pontoons with spud legs are required. Because you will never be sure of the water depth of your workplace, fitting the BELLTREX with side pontoons will ensure operator safety and workability.

Diagram A

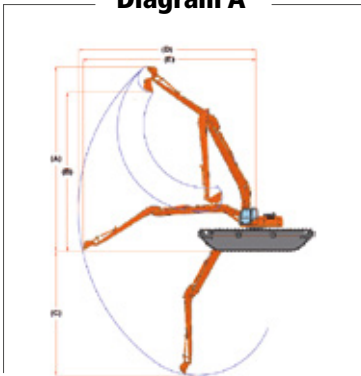
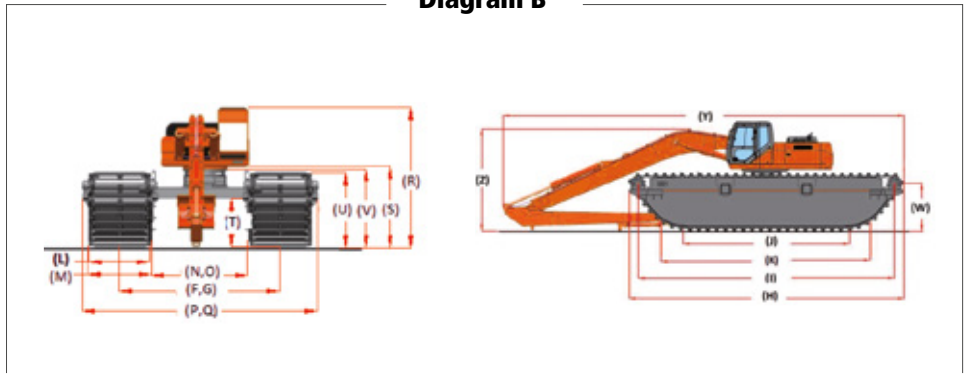


Diagram B



PRINCIPAL SPECIFICATIONS & DIMENSION									
Item	Description	Unit	Bell Amphibious Undercarriage Models						
			BAU35	BAU50	BAU80	BAU120	BAU200	BAU300	BAU400
			Class 3-4 ton Excavator	Class 5-6 ton Excavator	Class 7-9 ton Excavator	Class 10-14 ton Excavator	Class 20-24 ton Excavator	Class 28-36 ton Excavator	Class 40-45 ton Excavator
1	Total Weight (Hollow/UMPE trackshoe)	Kg	10500	12500/11750	16000/15000	24500/22750	32000/30000	45000/43000	54000
2	Float Capacity	m ³	12,5	15	21	30	40	60	65,6
3	Total Weight/Float Capacity (Max)	Ton/m ³	0,84	0,83	0,76	0,82	0,80	0,75	0,82
4	Maximum Torque Motor	Kgf-m	1250	1250	1250	1850	2616	3480	3800
5	Ground Pressure (Soft Ground)	Kg/cm ²	0,178	0,10	0,12	0,12	0,13	0,15	0,12
6	Travel Speed (HI)	km/h	4,2	4,2	4,2	4,2	3,6	3,2	3,2
	Travel Speed (LO)	km/h	2,3	2,2	2,2	2,3	2,3	1,8	1,8
7	Maximum Gradient	Deg	30	30	30	30	30	30	35
Work Equipment									
8	Boom Lenth	mm	3850	3850	4600	7250	7750	9100	10600
9	Arm Lenth	mm	1640	1640	2600	5125	5150	6200	5000
10	Bucket Capacity	m ³	0,15	0,16	0,3	0,4	0,5	0,9	1,4
Working Range									
A	A. Max. Digging Height	mm	6900	6900	9570	13720	14360	17035	15310
	B. Max. Dumping Height	mm	5185	5185	7440	12320	12260	14545	12000
	C. Max. Digging Depth	mm	2845	2845	4980	7930	8250	10150	11240
	D Max. Digging Reach	mm	6220	6220	9000	12500	13500	16000	17000
	E. Max. Digging Reach on Ground	mm	5805	5805	8780	12280	13250	15725	15330
Dimensions									
B	F. Track Gauge (Fully Retracted)	mm	1970	1970	2200	2760	2760	3805	4680
	G. Track Gauge (Fully Extended)	mm	2790	2790	3020	4020	4020	4405	
	H. Track Lenth	mm	6575	6583	7710	9210	9520	10670	10640
	I. Distance Between Idler	mm	5790	5790	6910	8433	8790	9802	9900
	J. Track Lenth On Hard Ground	mm	3367	3367	4275	5710	5700	6650	7100
	K. Track Lenth On Soft Ground	mm	5790	5810	6825	7150	7735	8310	10145
	L. Width Track Shoe	mm	1000	1040	1270	1590	1590	1775	2000
	M. Width Float	mm	1070	1070	1300	1620	1620	1807	2025
	N. Distance Between Pontoons (Fully Retracted)	mm	900	900	900	1170	1170	2030	2680
	O. Distance Between Pontoon (Fully Extended)	mm	1750	1720	1720	2440	2440	2630	
	P. Overall Machine Width (Fully Retracted)	mm	3140	3300	3760	4660	4660	5950	7200
	Q. Overall Machine Width (Fully Extended)	mm	3770	4120	4580	5930	5930	6550	
	R. Overall Machine Height (Cabin)	mm	3490	3500	3500	3685	4050	4435	4450
	S. Ground Clearance (Counterweight)	mm	1655	1655	1655	1755	2120	2520	2460
	T. Min. Ground Clearance	mm	990	990	990	1040	1250	1610	1640
	U. Shoe Setting Height	mm	1520	1550	1550	1610	1920	2295	2220
	V. Crawler Height	mm	1585	1580	1580	1700	2035	2370	2355
	W. Water Line Level	mm	1125	1130	1150	1185	1510	1880	1850
	X. Min. Swing Radius (Counterweight)	mm	950	1060	1576	2140	2750	3500	3605
	Y. Overall Length	mm	7010	7010	7100	12290	13100	14900	17180
Z. Height of Boom (Transportation)	mm	2500	2700	2700	2850	3450	4000	5240	

* Dimensions are for references only. It might differ and depend on the brand or model of the excavator

** Specifications are subject to change without prior notice