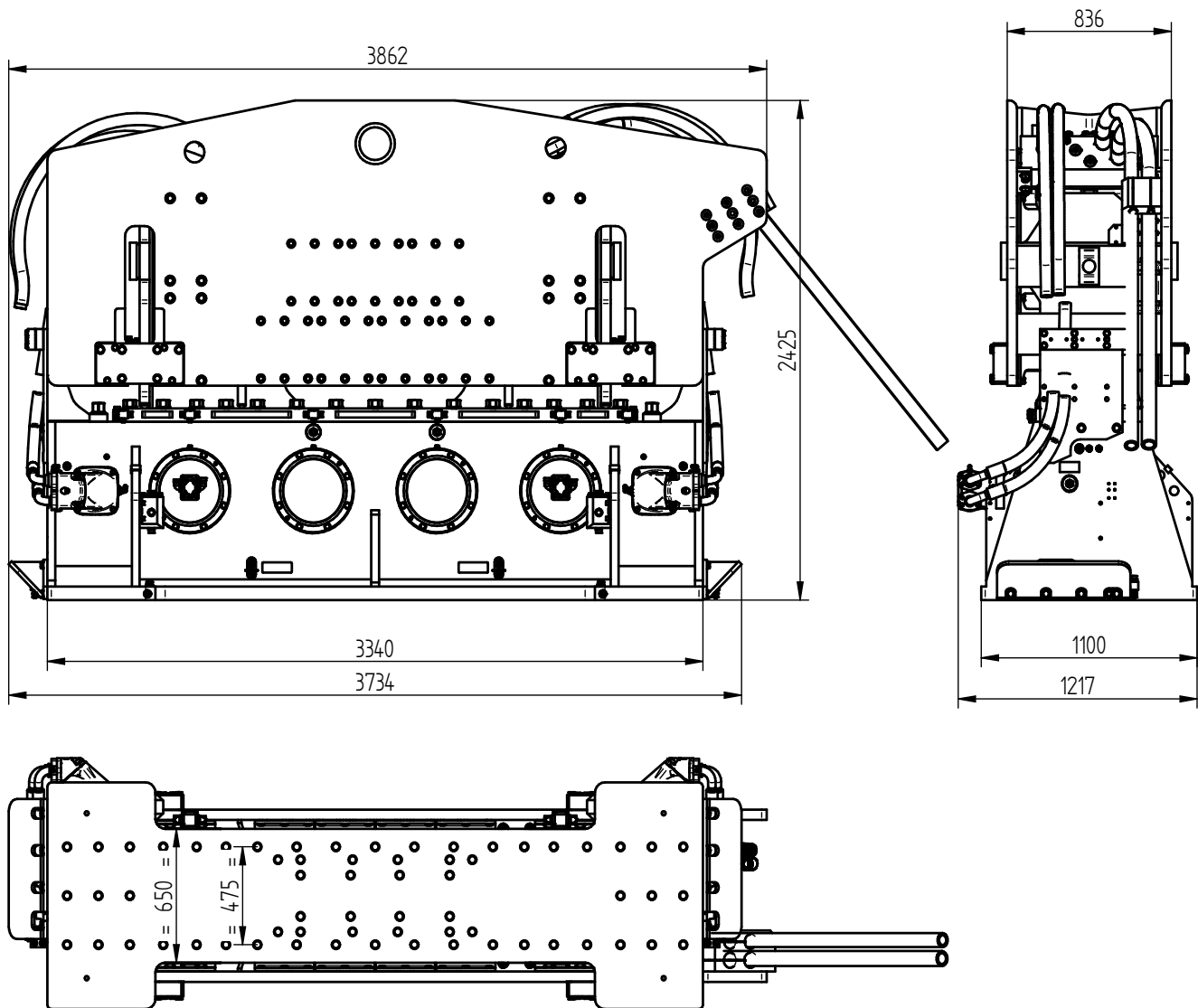


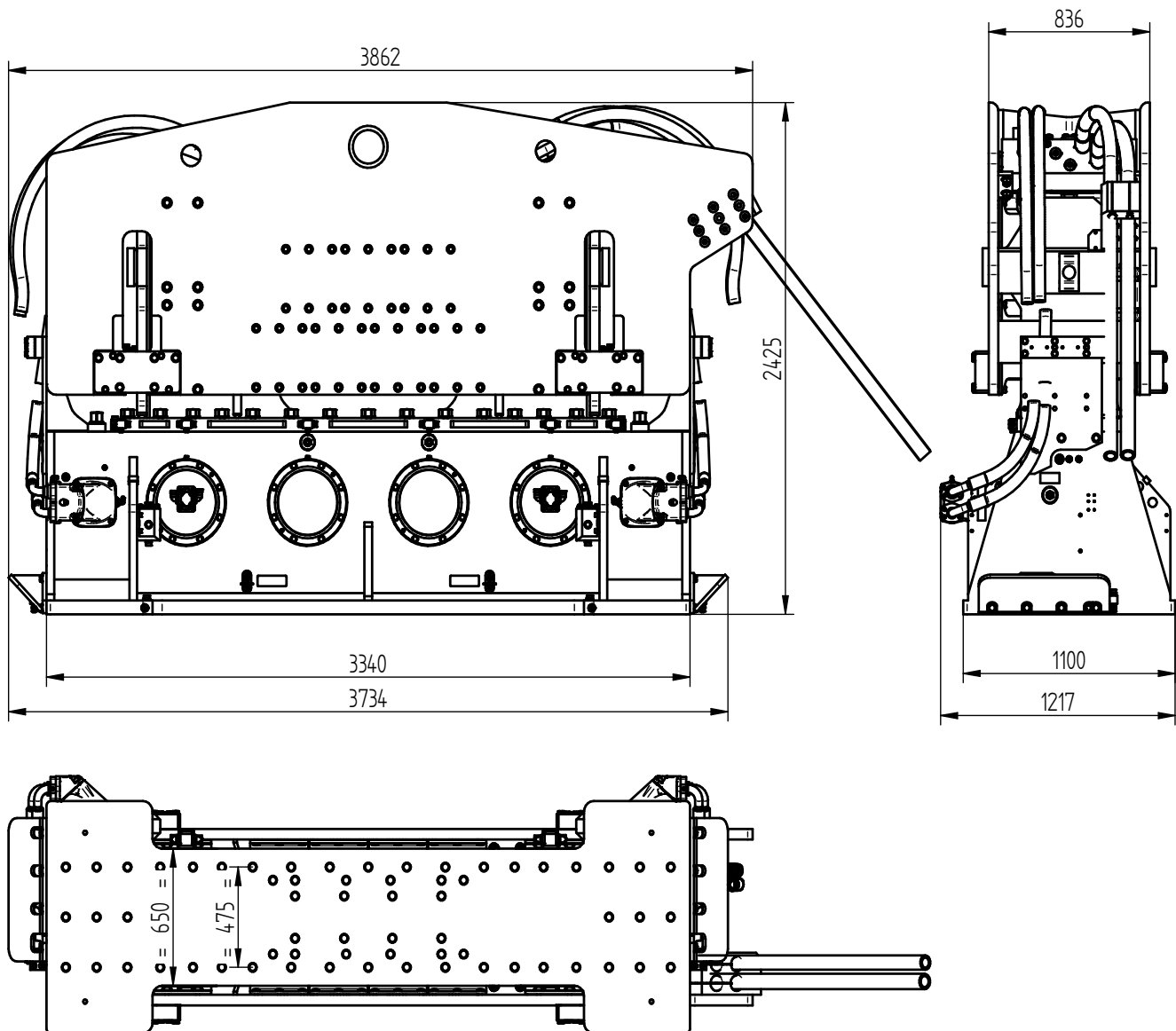
Specifications :

ICE 170NF

| | | | |
|---------------------------------------|----------------|----------------------------|-------------|
| Eccentric moment | 170 kgm | Clamps: | |
| Max. centrifugal force | 3654 kN | Double clamps | 350TC (2x) |
| Max. frequency | 1400 rpm | Transport weight per piece | 2980 kg |
| Max. amplitude excl. 350TC (2x) | 29,7 mm | | 0 |
| Max. amplitude incl. 350TC (2x) | 19,5 mm | | 0 |
| Max. static line-pull | 1260 kN | | |
| Max. pull-down | 120 kN | | |
| Max. operating pressure | 350 bar | Powerpack: | |
| Max. oil flow | 1293 l/min | Model | 1400 series |
| Max. hydraulic power | 754/1025 kW/HP | | |
| Forced lubrication | yes | | |
| Dynamic weight excl. 350TC (2x) | 11455 kg | Hose set: | |
| Dynamic weight incl. 350TC (2x) | 17415 kg | Length | 60 m |
| Total weight excl. 350TC (2x) & hoses | 17850 kg | Transport weight (±) | 1640 kg |



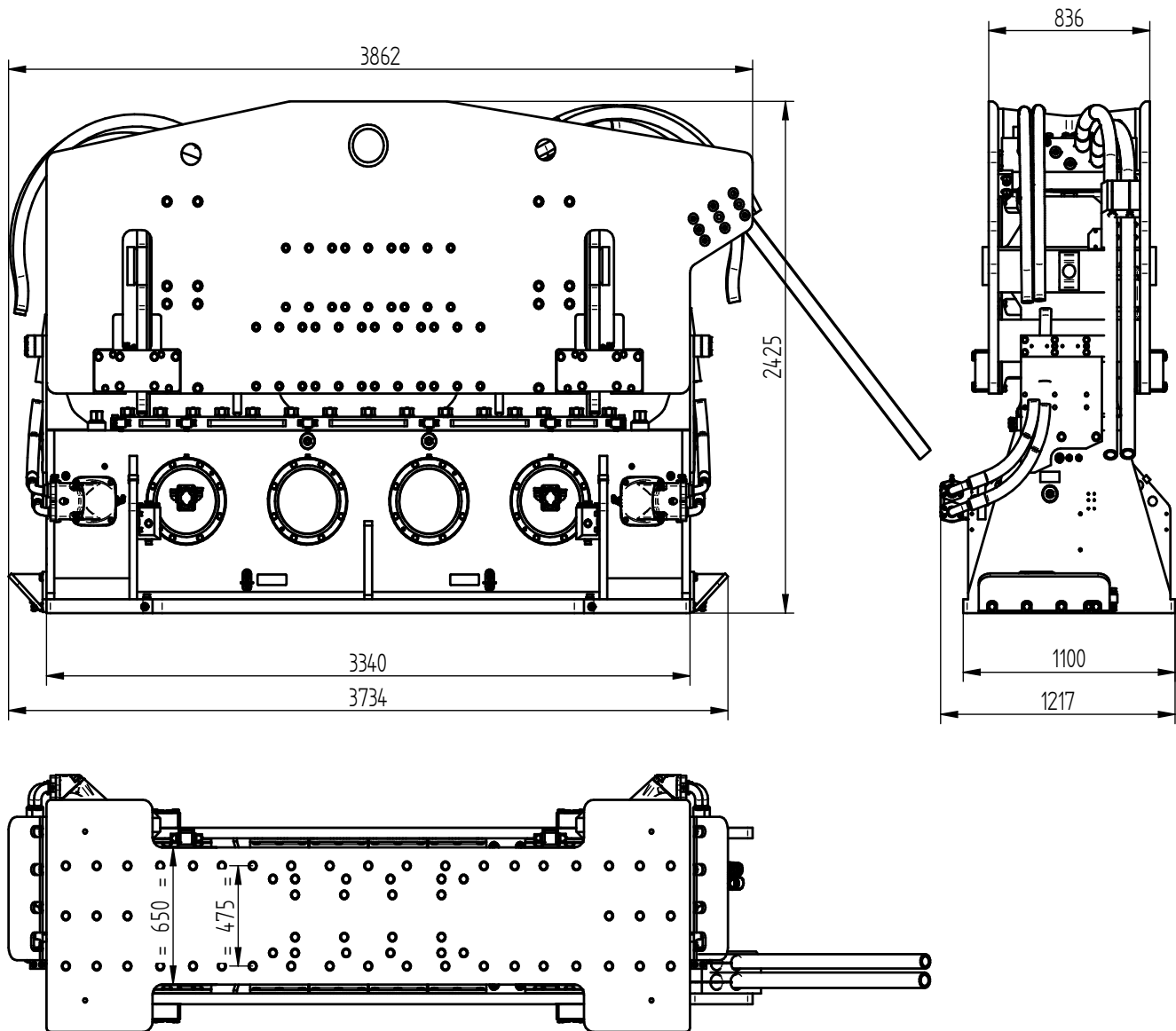
| Technische Daten : | | ICE 170NF | |
|--|----------------|-------------------------|-------------|
| Statisches Moment | 170 kgm | Klemmzange: | |
| Max. Fliehkraft | 3654 kN | Rohrklemmzange | 350TC |
| Max. Drehzahl | 1400 rpm | Transportgew. pro Stück | 2980 kg |
| Max. Amplitude ohne 350TC (2x) | 29,7 mm | | |
| Max. Amplitude mit 350TC (2x) | 19,5 mm | | |
| Max. Statische Zugkraft | 1260 kN | | |
| Max. Vorspannung | 120 kN | | |
| Max. Betriebsdruck | 350 bar | Aggregat: | |
| Max. Fördermenge | 1293 l/min | Modell | 1400 series |
| Max. hydraulische Leistung | 754/1025 kW/PS | | |
| Zwangsschmierung | ja | | |
| Dyn. Gewicht ohne 350TC (2x) | 11455 kg | Schlauchsatz: | |
| Dyn. Gewicht mit 350TC (2x) | 17415 kg | Länge | 60 m |
| Gesamtgew. ohne 350TC (2x) & Schläuche | 17850 kg | Transportgewicht (±) | 1640 kg |



Spécifications

ICE 170NF

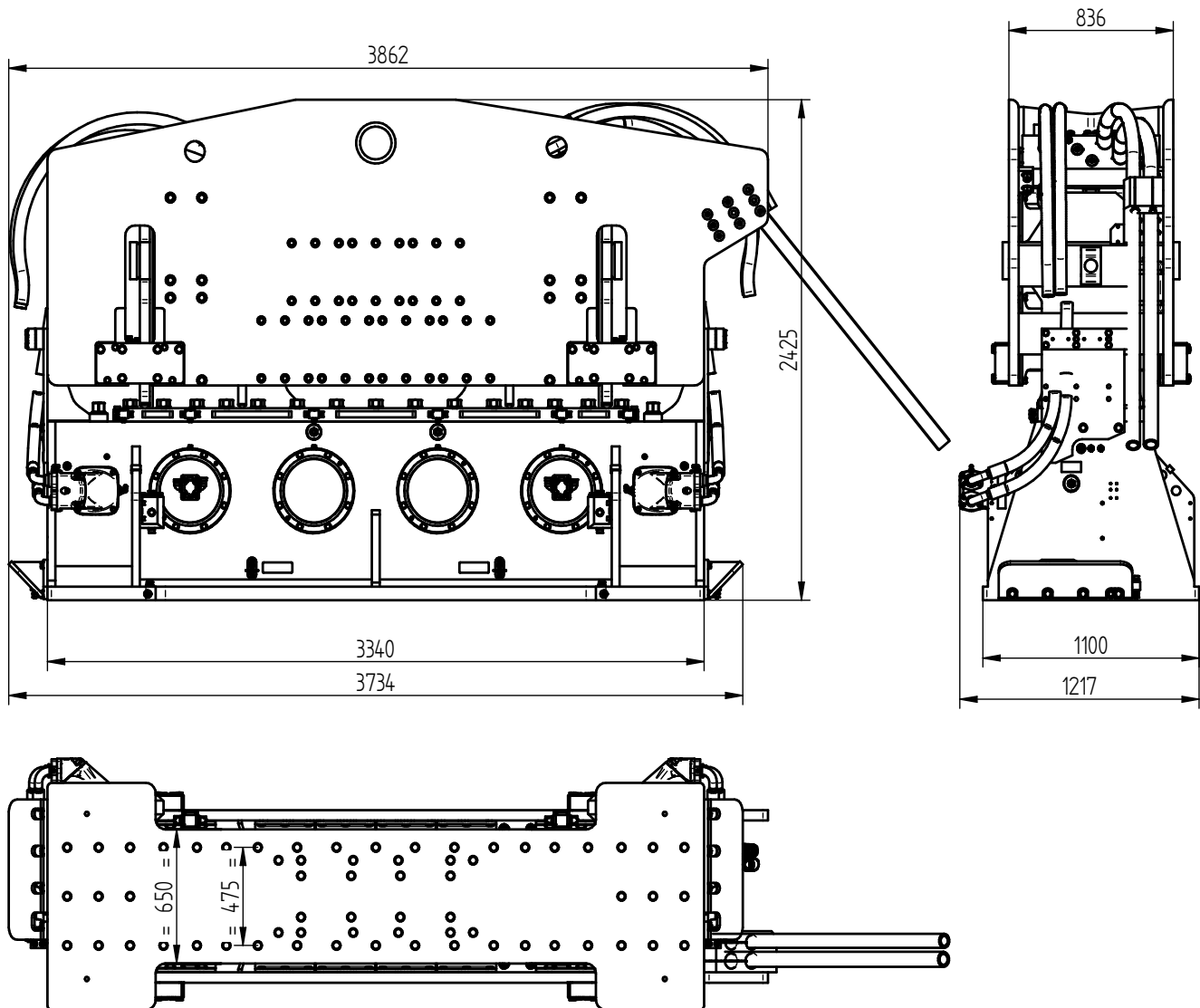
| | | | |
|--------------------------------------|----------------|------------------------------|-------------|
| Moment excentrique | 170 kgm | Pincés: | |
| Max. force centrifuge | 3654 kN | Pince tube | 350TC |
| Max. fréquence | 1400 rpm | Poids de transport par pièce | 2980 kg |
| Max. amplitude sans 350TC (2x) | 29,7 mm | | |
| Max. amplitude avec 350TC (2x) | 19,5 mm | | |
| Force de traction statique | 1260 kN | | |
| Force maximale d'appui | 120 kN | | |
| Pression de travail max. | 350 bar | Groupe hydraulique: | |
| Débit d'huile max. | 1293 l/min | Modèle | 1400 series |
| Puissance hydraulique max. | 754/1025 kW/ch | | |
| Huile lubrifiante | oui | | |
| Poids dynamique sans 350TC (2x) | 11455 kg | Jeu de tuyau: | |
| Poids dynamique avec 350TC (2x) | 17415 kg | Longueur | 60 m |
| Poids total sans 350TC (2x) & tuyaux | 17850 kg | Poids de transport (±) | 1640 kg |



Specificaties

ICE 170NF

| | | | |
|--|----------------|---------------------------|-------------|
| Excentrisch moment | 170 kgm | Klemmen: | |
| Max. centrifugaalkracht | 3654 kN | Pijpenklem | 350TC |
| Max. toerental | 1400 rpm | Transportgewicht per klem | 2980 kg |
| Max. amplitude excl. 350TC (2x) | 29,7 mm | | |
| Max. amplitude incl. 350TC (2x) | 19,5 mm | | |
| Max. statische trekkracht | 1260 kN | | |
| Max. voorspanning | 120 kN | | |
| Max. werkdruk | 350 bar | Aggregaat: | |
| Max. oliedoorstroming | 1293 l/min | Model | 1400 series |
| Max. hydraulisch vermogen | 754/1025 kW/PK | | |
| Geforceerde smering | ja | | |
| Dynamisch gewicht excl. 350TC (2x) | 11455 kg | Slangenset: | |
| Dynamisch gewicht incl. 350TC (2x) | 17415 kg | Lengte | 60 m |
| Totaalgewicht excl. 350TC (2x) & slangen | 17850 kg | Transportgewicht (±) | 1640 kg |



| Especificaciones | | ICE 170NF | |
|--|----------------|------------------------------|-------------|
| Momento excéntrico | 170 kgm | Abrazadera: | |
| Fuerza centrífuga máxima | 3654 kN | Abrazadera de tubo | 350TC |
| Frecuencia máxima | 1400 rpm | Peso de transporte por pieza | 2980 kg |
| Amplitud máxima excluyendo 350TC (2x) | 29,7 mm | | |
| Amplitud máxima incluyendo 350TC (2x) | 19,5 mm | | |
| Estático tracción máxima | 1260 kN | | |
| Compresión máxima | 120 kN | | |
| Presión máxima de trabajo | 350 bar | Unidad de potencia: | |
| Flujo de aceite máximo | 1293 l/min | Modelo | 1400 series |
| Máxima potencia hidráulica | 754/1025 kW/HP | | |
| Lubricación forzada | si | | |
| Peso dinámico excluyendo 350TC (2x) | 11455 kg | Conjunto de manguera: | |
| Peso dinámico incluyendo 350TC (2x) | 17415 kg | Longitud | 60 m |
| Peso total excluyendo 350TC (2x) & mangu | 17850 kg | Peso de transporte (±) | 1640 kg |

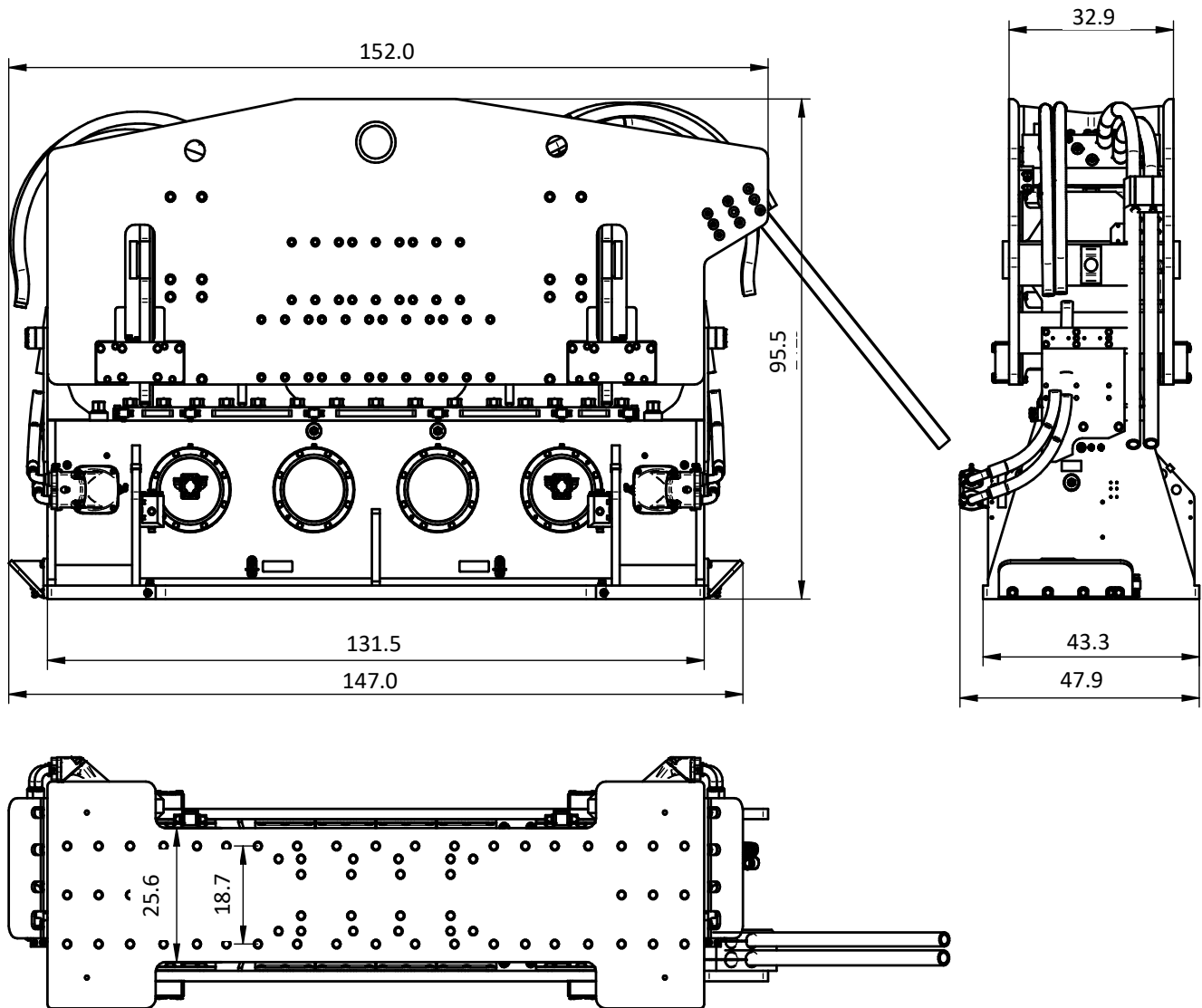
Specifications

ICE 170NF

Vibro Hammer

USA

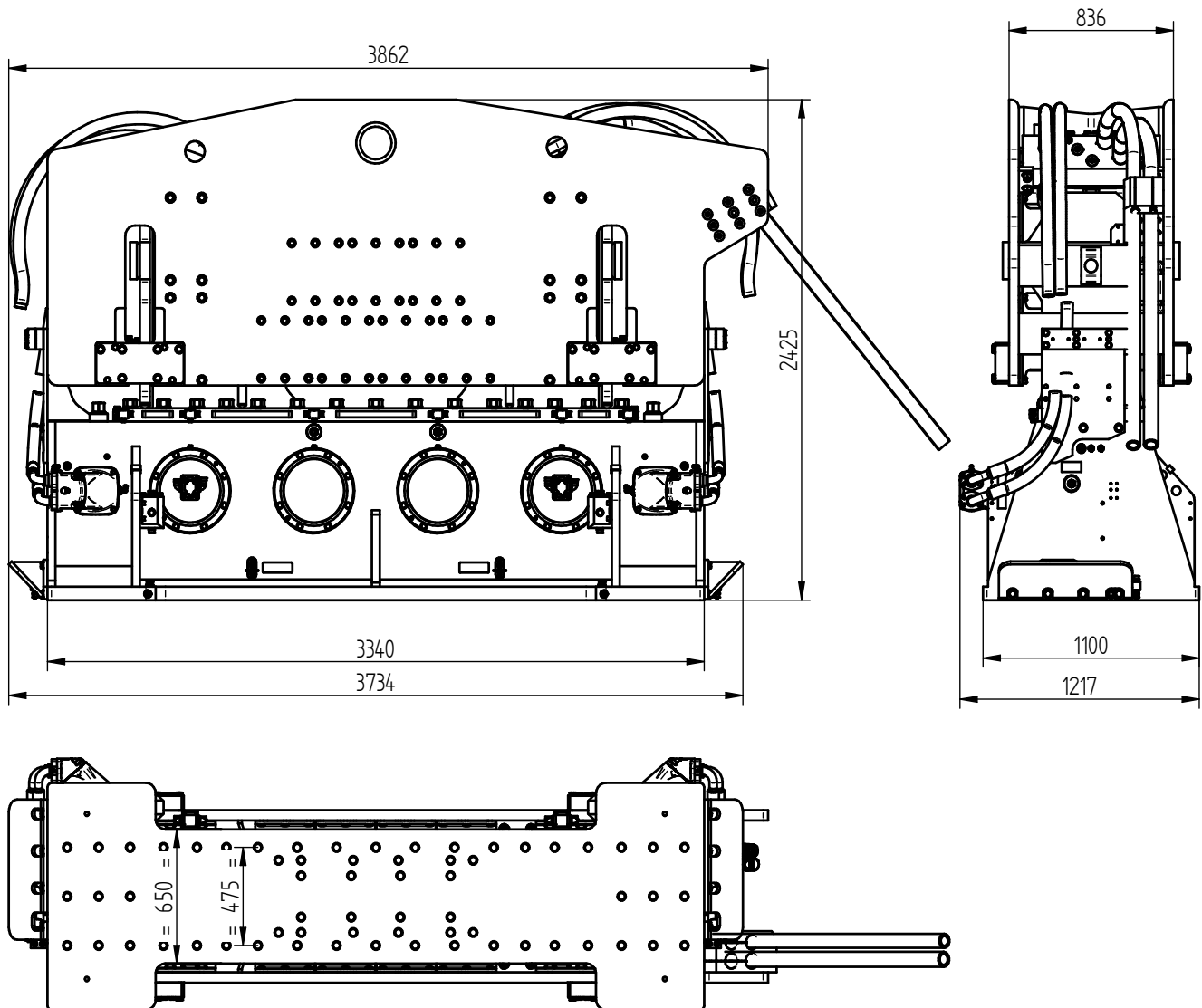
Dimensions in inches



Specifications

ICE 170NF

| | | | |
|---|----------------|----------------------------|-------------|
| Eccentric moment | 14,757 in-lbs | Clamps: | |
| Max. centrifugal force | 411 ton | Double clamps | 350TC |
| Max. frequency | 1,400 rpm | Transport weight per piece | 6,570 lbs |
| Max. amplitude excluding 350TC (2x) | 1.17 in | | |
| Max. amplitude including 350TC (2x) | 0.77 in | | |
| Max. static line-pull | 128 ton | | |
| Max. pull-down | 12 ton | | |
| Max. operating pressure | 5,076 psi | Powerpack: | |
| Max. oil flow | 342 gal/min | Model | 1400 series |
| Max. hydraulic power | 754/1025 kW/HP | | |
| Forced lubrication | yes | | |
| Dynamic weight excluding 350TC (2x) | 25,254 lbs | Hose set: | |
| Dynamic weight including 350TC(2x) | 38,394 lbs | Length | 197 ft |
| Total weight excluding 350TC (2x) & hoses | 39,353 lbs | Transport weight (±) | lbs |



Specificatii :

ICE 170NF

| | | | |
|---|----------------|----------------------------|-------------|
| Moment excentric | 170 kgm | menghira: | |
| Forța centrifugă maximă | 3654 kN | menghina dubla | 350TC |
| Frecvența maximă | 1400 rpm | Greutatea de transport pp. | 2980 kg |
| Amplitudine maximă exclusivă. 350TC (2x) | 29,7 mm | | |
| Amplitudine maximă inclusivă. 350TC (2x) | 19,5 mm | | |
| Tracțiune maximă statică | 1260 kN | | |
| Trage în jos maximă | 120 kN | | |
| Presiune maximă de lucru | 350 bar | generatoare: | |
| Debit maxim de ulei | 1293 l/min | Model | 1400 series |
| Puterea hidraulică maximă | 754/1025 kW/HP | | |
| Lubrifiere forțată | da | | |
| Greutatea dinamică exclusivă. 350TC (2x) | 11455 kg | Tip de furtun: | |
| Greutatea dinamică inclusivă. 350TC (2x) | 17415 kg | Lungimea | 60 m |
| Greutatea totală fără. 350TC (2x) și furtun | 17850 kg | Greutatea de transport (±) | 1640 kg |